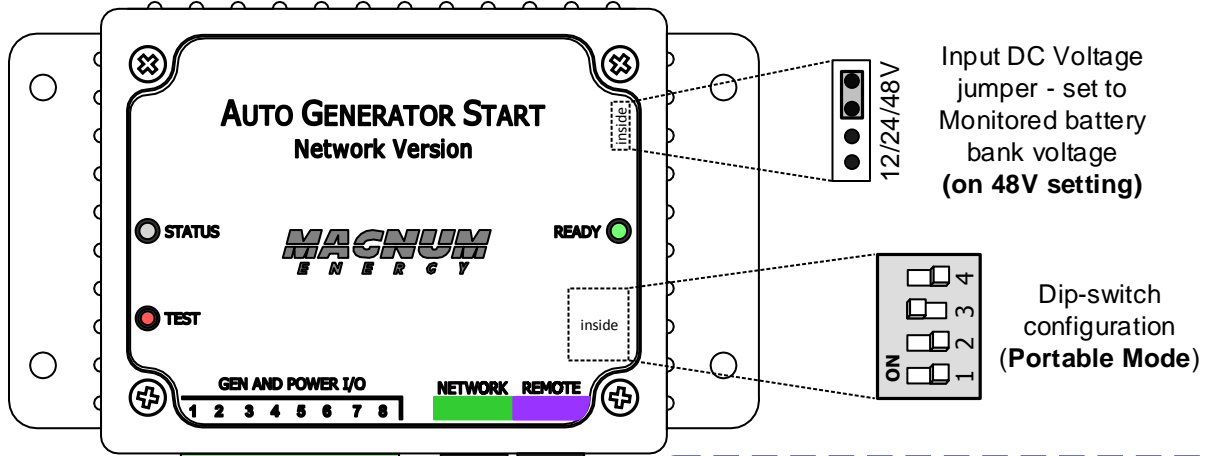


# ME-AGS\* wiring diagram For Westinghouse 7500 Generators

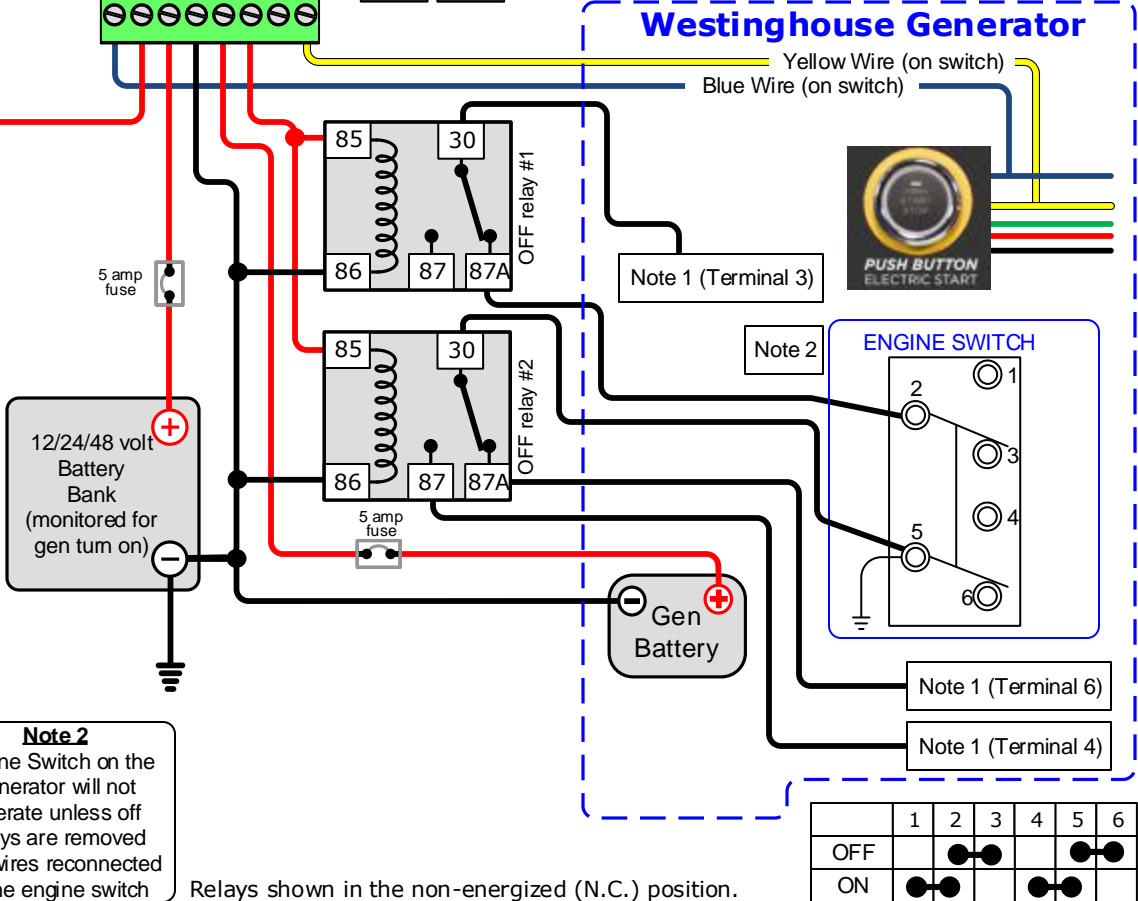
**\*NOTE:**  
ME-AGS-N is shown, but ME-AGS-S can be used also.



Gen Run Signal (input to pin 2 must be 10 to 40 DC volts only while generator is running); can be the generator hour-meter, a 12vdc pilot/run light, or see Alternative Options in the AGS Manual

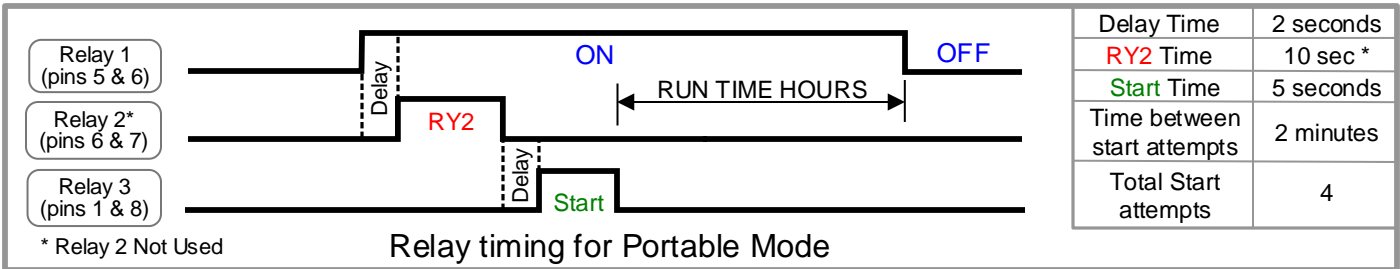
**Note 1**  
Disconnect wire from terminal 3 and connect it to the off relay #1 (terminal 30), disconnect wire from terminal 6 and connect to the off relay #2 (terminal 87A) and disconnect wire from terminal 4 and connect it to the off relay #2 (terminal 87)

**Note 2**  
Engine Switch on the generator will not operate unless off relays are removed and wires reconnected to the engine switch



Relays shown in the non-energized (N.C.) position.

OFF Relay = SPDT 30 Amp, 12 VDC coil relay; popular in automotive sound and security installations. Equivalent to Bosch #0 332 209 150 or TYCO #V23234-A1001-X036.



This diagram is provided to assist in the installation of the Auto Generator Start controller. Since the use of this diagram and the conditions or methods of installation, operation and use are beyond the control of Sensata Technologies (Magnum Energy Products), we do not assume responsibility and expressly disclaim liability for loss, damage or expense arising out of the installation, operation and use of this unit.